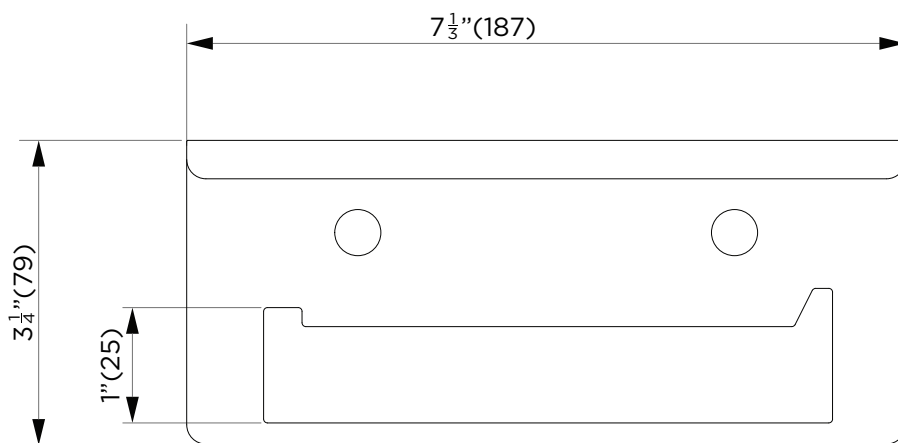
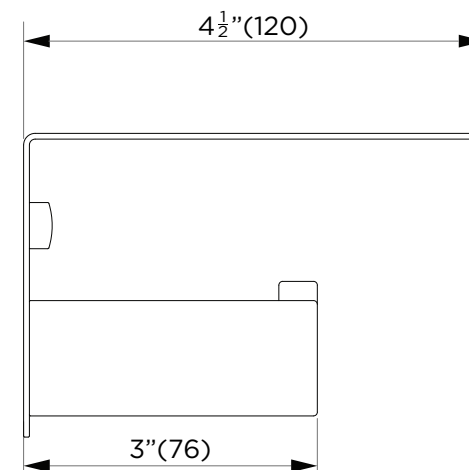


**SPECIFICATIONS / TECHNICAL DATA**

# TISSUE HOLDER WITH COVER



FRONT VIEW



SIDE VIEW

*ATTENTION! Dimensions may vary by up to 3/8". It is highly recommended to pull all dimensions of actual model for installation and measuring purposes.*

**MODEL# AC2THC**